

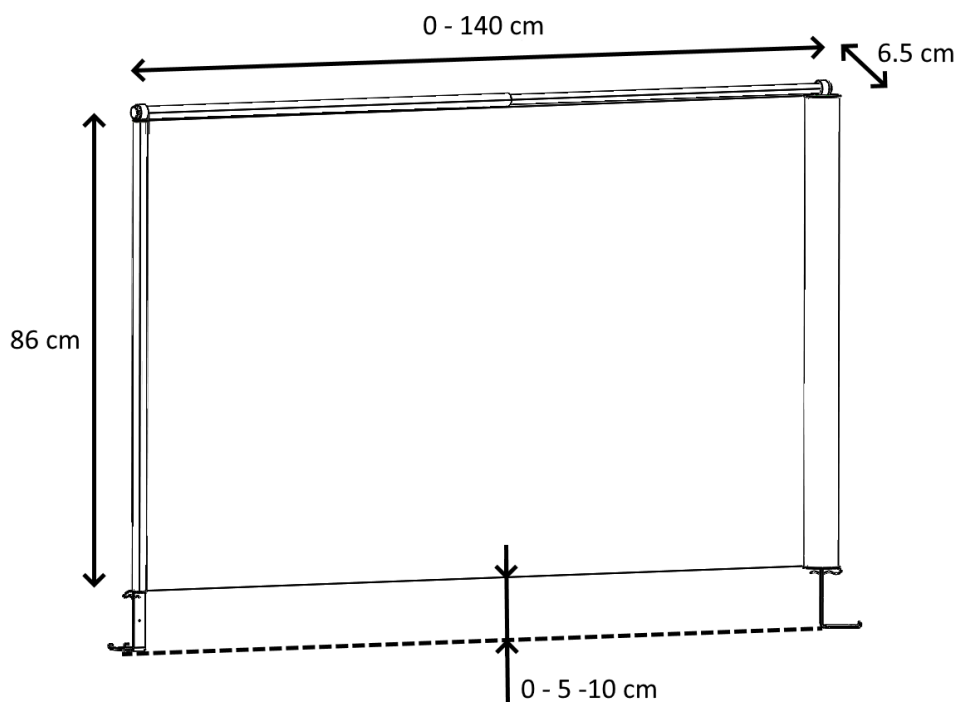
# FlexySafe



- Interpersonal protective screen that helps you maintaining **clean, healthy** and **safe** your workspace.
- **Patent pending**
- Protective surface made of **Cristal sheet**, a material that you can clean and sanitize easily
- Maximum opening width of **140 cm** and it can be raised upon the installing surface to **5** and **10 cm**
- **Self-supporting** and **rigid structure**, avoid you and your clients breaking it and making it falling down

## Technical features

Closed product dimensions	86 x 6.5 x 9 cm
Open product dimensions (maximum opening)	86 x 6.5 x 140 cm
Open product dimensions, raised screen (maximum opening)	91/96 x 6.5 x 140 cm



Weight (without fixing tools)	2.4 kg
Weight (with fixing tools)	3.1 kg
Installing surface thickness (fixing with clamps)	5 – 52 mm
Installing surface thickness (fixing with screws M40 x 60)	Maximum 50 mm

# DATASHEET

## **Packaging dimensions**

Packaging dimensions	11 x 8 x 110 cm
Packaging weight	3.8 kg
Number of products for each Epal	100
Epal dimensions	123 x 80 x 127 cm

## **Materials**

Transparent sheet	PVC
Telescopic tube	aluminum
56 mm diameter tube	aluminum
26 mm diameter tube	aluminum
Stirrups	steel
Clamps	steel
Tubes covers	Plastic

## **Cleaning**

Specific PVC cleaning products are needed, in order to ensure the perfect transparency of the cristal sheet over the lifetime of the product

## **Certifications**

**CE:** certifying that the product complies with the applicable European legislation, it can circulate freely within the European Union and it respects Machinery Directive

**WARNING:** Standard product must be kept away from Fire. A flame-retardant PVC sheet could be provided on request